

Bourne Product Information



BOURNE

- Standard Height Tables [BU12](#)
- Counter Height Tables [BU16](#)
- Bar Height Tables [BU20](#)
- Storage [BU22](#)

Bourne Product Information

Product Overview

Bourne Seating and Occasional Tables below can be found in the JSI Seating Price List

Seating



Guest Chair
Single Fabric



Guest Chair
Dual Fabric



Lounge Chair
Single Fabric



Lounge Chair
Dual Fabric



Ottoman



Counter Height
Stool



Bar Stool

Occasional Tables



Rectangular
Coffee Table



Square
Coffee Table



Round
Coffee Table



Triangular
Coffee Table

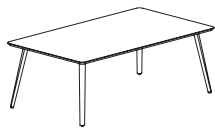


Square
Side Table



Round
Side Table

Standard and Counter Height Tables



Rectangular Table
with Wood Legs



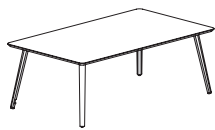
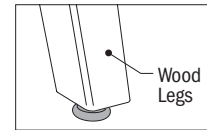
Racetrack Table
with Wood Legs



Square Table
with Wood Legs



Round Table
with Wood Legs



Rectangular Table
with Wood/Metal Legs



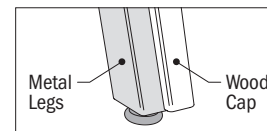
Racetrack Table
with Wood/Metal Legs



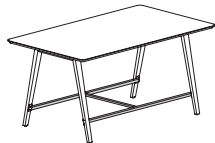
Square Table
with Wood/Metal Legs



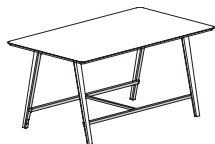
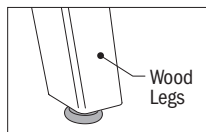
Round Table
with Wood/Metal Legs



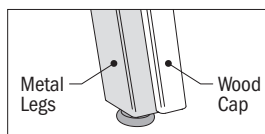
Bar Height Tables



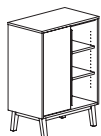
Rectangular Table with Wood Legs



Rectangular Table with Wood/Metal Legs



Storage



Tall Storage



Mid Storage



Low Storage

Bourne Product Information

Table Heights

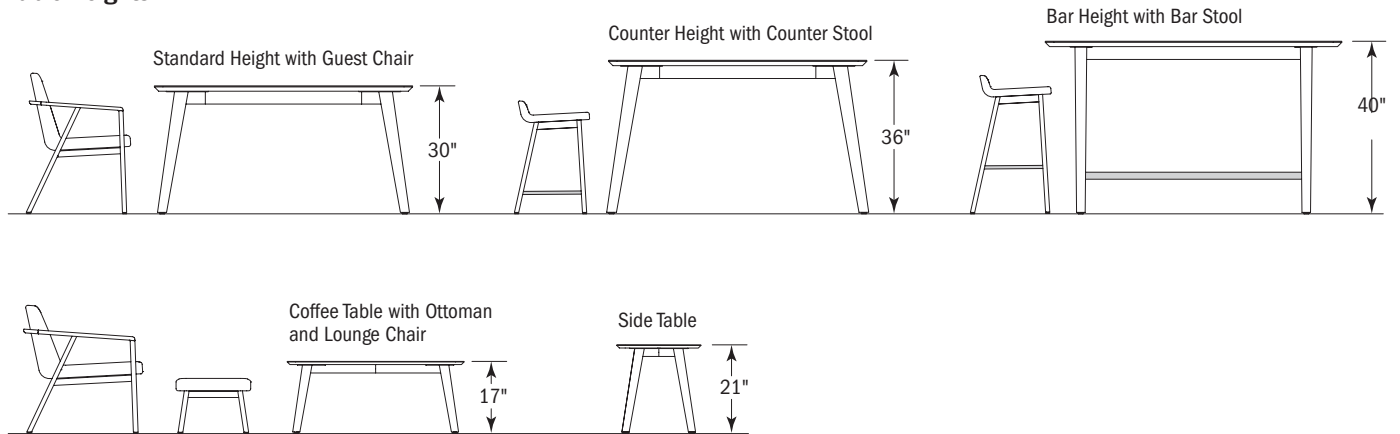


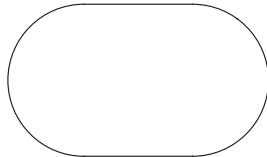
Table Shapes



rectangular

sizes available:

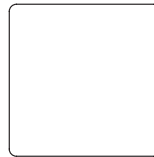
48" x 90" 42" x 90"
 48" x 84" 42" x 84"
 48" x 72" 42" x 72" 36" x 72"



racetrack

sizes available:

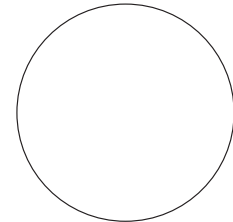
48" x 90" 42" x 90"
 48" x 84" 42" x 84"
 48" x 72" 42" x 72"
 42" x 60"



square

sizes available:

60" x 60"
 48" x 48"
 42" x 42"



round

size: 60" dia.

BOURNE

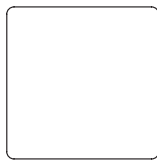
Bourne Occasional Tables below can be found in the JSI Seating Price List

Coffee Table Shapes



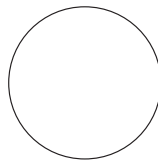
rectangular

size: 24" x 48"



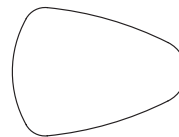
square

size: 42" x 42"



round

sizes available:
 42" dia.
 36" dia.



triangular

size: 36" x 48"

Side Table Shapes



square

size: 20" x 20"



round

size: 24" dia.

Bourne Tables Order Check List:



Specify:

- 1. Model Number
- 2. Top Material
 - a.) Veneer
 - 1.) Wood Finish
 - b.) Laminate
 - 1.) Laminate Color
 - c.) Solid Surface
 - 1.) Solid Surface Color
- 3. Legs/Apron Wood Finish
 - a.) Solid Wood Finish
 - b.) Paint Color
- 4. Metal Legs/Foot Rail Color
- 5. Optional Accessory Hooks - four hooks; specify and add \$199 list
- 6. Optional Power Unit - units must be ordered separately
 - EC26 - worksurface power, specify cut-out on order - specify Black (B), or White (W)
 - EC27 - under surface power - specify Black (B), or White (W)

BOURNE

Example:

BU2448-17TTWL | **FLX** | **BWH**
 (model #) | (top material wood finish) | (legs/apron paint color)

1. Model Number

Top Material Selection (continued):

Laminate

2. Top Material Selection:

Veneer

*finishes have coordinating laminate top

ESS Essentials Veneer Collection

BRK Brickdust*	MIN Mineral*
CSK Cask*	MCH Mocha*
CLY Clay*	OBK Outback*
FAW Fawn*	PIL Pilsner*
FLX Flax	SIE Sienna
FLN Flint*	TRF Truffle
LOF Loft*	UMB Umber*
MES Mesa*	VAL Valley*

ART Artisan Veneer Collection

BAR Barrel	RAV Raven
BUF Buff	RYE Rye
CND Cinder	SAB Sable
EGR Egret*	SAD Saddle

HPL Wood Grain Pattern Laminates

BEL Belair	MIN Mineral
BRK Brickdust	MCH Mocha
CSK Cask	OBK Outback
CLY Clay	PIL Pilsner
EGR Egret	PIN Pinnacle Walnut
FAW Fawn	UMB Umber
FLN Flint	VAL Valley
FLO Florence Walnut	WLH Walnut Heights
LOF Loft	WEA Weathered Ash
MES Mesa	

HPL Solid Laminates

ALB Alabaster	SHD Shadow
BLK Black	SLG Slate Grey
BBL Bridal Blanco	ZEN Zen Grey
DWH Designer White	

Top Material Selection (continued):

Solid Surface

DWH	Designer White	ONX	Black Onyx Mirage
HST	Hot Stone	SOG	Soothing Grey

3. Legs/Apron Selection:

Solid Wood Finish:

BAR	Barrel	MCH	Mocha [†]
BRK	Brickdust [†]	OBK	Outback
BUF	Buff	PIL	Pilsner
CSK	Cask [†]	PIN	Pinnacle Walnut [†]
CND	Cinder	RAV	Raven
CLY	Clay	RYE	Rye
EGR	Egret	SAB	Sable
FAW	Fawn	SAD	Saddle
FLX	Flax	SIE	Sienna [†]
FLN	Flint	TRF	Truffle [†]
FLO	Florence Walnut	UMB	Umber [†]
LOF	Loft	VAL	Valley
MES	Mesa [†]	WLH	Walnut Heights
MIN	Mineral		

[†]Finishes may be specified to have Maple or Walnut Leg/Apron. Walnut will have an upcharge.

Paint Color:

BKD	Backdrop	NWH	Nonchalant White
BFX	Black Fox	SVP	Silverplate
BWH	Bright White	SKS	Skyline Steel
CHT	Chatroom	STM	Storm
GAL	Gale Force	TRC	Tricorn Black
GRV	Greek Villa	UKH	Universal Khaki

4. Metal Legs/Foot Rail Color:

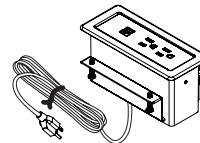
ABZ	Aged Bronze	PEW	Pewter
ASL	Arctic Silver	SBZ	Soft Bronze
GLD	Gold	SNK	Soft Nickel
MBK	Matte Black		

5. Optional Accessory Hooks - four hooks; specify and add \$199 list

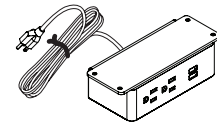
6. Power Unit - Power Units can be specified

Worksurface - EC26 - Two 110 outlets and a dual USB port with a 120" power cord - Black (B) or White (W); see page BU23.

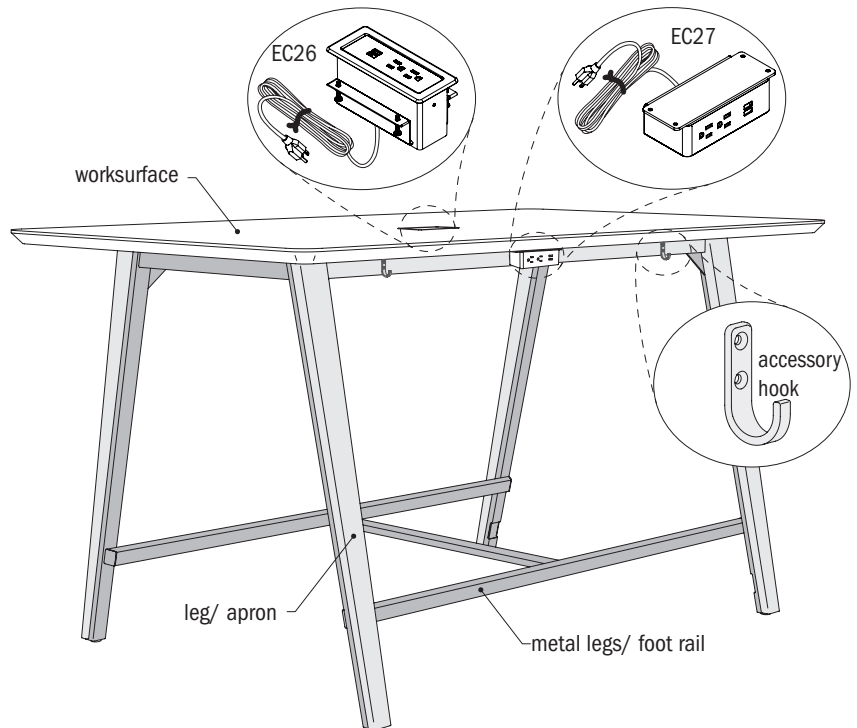
Under Surface - EC27 - Two 110 outlets and a dual USB port with a 120" power cord - Black (B) or White (W); see page BU23.



EC26



EC27



BOURNE

Bourne Storage Order Check List:



Specify:

- 1. Model Number
- 2. Chassis/Base - Essentials or Artisan Veneer Collection
- 3. Door Finish
 - a.) Same as Chassis/Base
 - b.) Paint
 - 1.) Paint Color

Examples:

BU1830-42STWL | **FAW** | **BWH**
 (model #) | (chassis/base finish) | (door paint color)

1. Model Number

2. Chassis/Base Species:

ESS Essentials Veneer Collection

BRK	Brickdust	MIN	Mineral
CSK	Cask	MCH	Mocha
CLY	Clay	OBK	Outback
FAW	Fawn	PIL	Pilsner
FLX	Flax	SIE	Sienna
FLN	Flint	TRF	Truffle
LOF	Loft	UMB	Umber
MES	Mesa	VAL	Valley

ART Artisan Veneer Collection

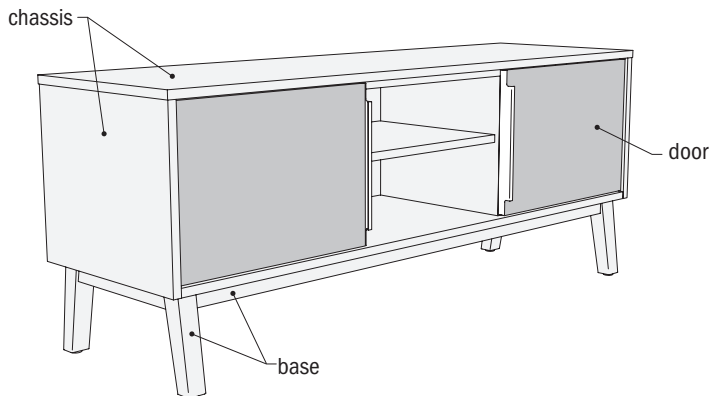
BAR	Barrel	RAV	Raven
BUF	Buff	RYE	Rye
CND	Cinder	SAB	Sable
EGR	Egret	SAD	Saddle

3. Door Finish Selection:

Wood Finish:
Same as Chassis/Base

Paint Color:

BKD	Backdrop	NWH	Nonchalant White
BFX	Black Fox	SVP	Silverplate
BWH	Bright White	SKS	Skyline Steel
CHT	Chatroom	STM	Storm
GAL	Gale Force	TRC	Tricorn Black
GRV	Greek Villa	UKH	Universal Khaki



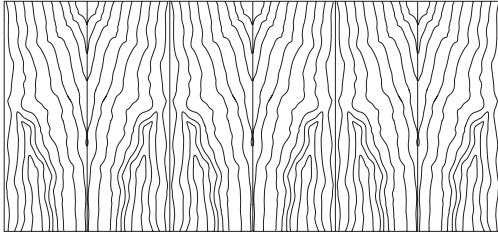
BOURNE

page left intentionally blank

Bourne Tables and Storage Product Information

Exterior Wood Materials

Exterior surfaces are made from the finest selected veneers to achieve clarity and consistency in the Bourne product line. To attain a pleasing, symmetrical pattern, all veneers in Bourne are book-matched. All exterior solid lumber is matched to coordinate with the veneer.



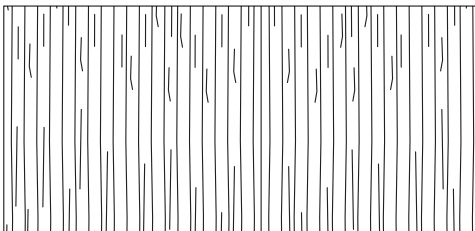
Book Matched Example

Alternating pieces of veneer are flipped over so they face each other like the pages within a book.

Bourne is available in flat cut cherry, maple, walnut veneer and black oak. A wide range of wood stains have been formulated to enhance the beauty of the veneer.

Artisan veneer is another choice on Bourne Veneer product. This veneer is a processed product that has at least two cuttings to create the final veneers. These cuts of veneer strands are dyed and layered into a block to create variation of patterns from a very tight grain pattern to an exotic figure grain pattern.

The diagram below shows the tight pattern used on Bourne Artisan Veneer.



Worksurface Construction

Veneer and Laminate Worksurface

Worksurfaces are 1 3/16" thick and are manufactured with 3-ply balanced construction. Surfaces are available in wood veneer or high pressure laminate. MDF edges on table tops have an undercut bevel profile and are painted to match top.

Solid Surface Worksurface

Solid surface worksurfaces are constructed with a 1/2" thick solid surface top and a 1/16" thick wood sub-top. Total thickness of this mixed material worksurface is 1 1/2". MDF edges on sub-top have an undercut bevel profile and are painted to match top.

Casework Construction

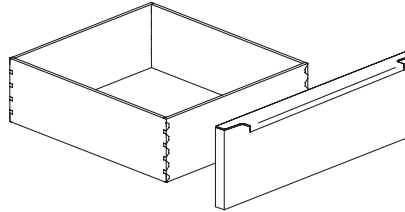
Casework tops are made up of layers of hardwood veneers molded to shape and RF cured. Outer veneers are matched for uniform grain patterns. All casework tops are 3/4" thick plywood.

Casework chassis, doors and drawer fronts consist of veneer over composite wood core; all wood core components are 3/4" thick.

Cabinet doors have 110° swing hinges to allow adequate access into the interior of the cabinet.

Drawers

The 9-ply unidirectional hardwood sides of the drawer box are 7/16" thick assembled with English dovetail construction at each corner of the box. The drawer bottom panel is 1/4" thick fitting into a groove machined into the side of the box. Interiors are sanded and coated with clear U.V. finish to protect against shrinking, swelling or warping, and to provide a clean, smooth feel and appearance.



Drawer Suspension

The high quality black drawer suspensions carry a lifetime warranty. Slides feature steel ball bearings for longer life with cushioned in/out stops. File and box drawers have 100% full extension with over travel.

Finish - Stain/Colors

We offer a variety of wood stains and paint colors on Bourne. Please see the chart below. Samples are available upon request.

ESS Essentials Veneer Collection

BRK	Brickdust	MIN	Mineral
CSK	Cask	MCH	Mocha
CLY	Clay	OBK	Outback
FAW	Fawn	PIL	Pilsner
FLX	Flax	SIE	Sienna
FLN	Flint	TRF	Truffle
LOF	Loft	UMB	Umber
MES	Mesa	VAL	Valley

ART Artisan Veneer Collection

BAR	Barrel	RAV	Raven
BUF	Buff	RYE	Rye
CND	Cinder	SAB	Sable
EGR	Egret	SAD	Saddle

PNT Paint Color

BKD	Backdrop	NWH	Nonchalant White
BFX	Black Fox	SVP	Silverplate
BWH	Bright White	SKS	Skyline Steel
CHT	Chatroom	STM	Storm
GAL	Gale Force	TRC	Tricorn Black
GRV	Greek Villa	UKH	Universal Khaki

Bourne Tables and Storage Product Information

Protective Top Coat

DuraTex™ offers exceptional hardness along with abrasion and impact resistance, it has been formulated to eliminate hazardous and harmful gases that are normally associated with wood finish.

DuraTex™ Features

Safety - Significantly reduces hazardous formaldehyde emissions, which help improve the quality of the of the indoor air we breathe.
Quality - Developed to be tough and durable with special attention to appearance. The DuraTex™ finish preserves the natural beauty of wood.
Durability - Designed to meet a wide range of demanding performance and environmental standards to withstand even the highest wear and tear.
 To reduce hazardous formaldehyde emission we use our proprietary specially design top coat, DuraTex™. We are proud that our finish is Green-Guard certified.

Finish Sheen

All veneer finishes are standard in 35-sheen, with the exception of Raven. Raven is only offered in 15 sheen. All other finishes can have their sheen modified with a 15% upcharge added to the list price of each item.

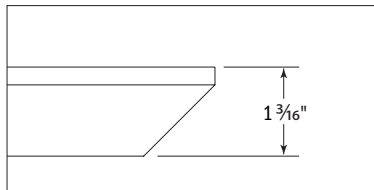
Care of Wood Edges and Veneer Surfaces

Clean all surfaces frequently with water dampened soft cloth, moving the cloth with the grain direction. Immediately remove any liquids that come in contact with wood surfaces, with a blotting action to absorb liquid. Buff dry. Lift objects to move them, never pull them across the finished surface. Avoid exposure of furniture to extremes of heat, cold, and wide variance of humidity. Avoid exposure of furniture to strong sunlight. Avoid exposure of furniture to harsh solvents such as nail polish remover, acetates, etc., as it will cause finish deterioration.

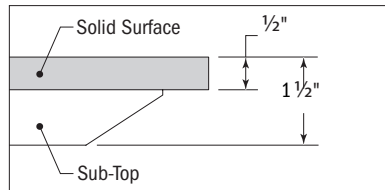
Metal Components

Wipe smooth powder coat finishes and textured metals with a damp cloth. For stubborn stains and grease marks, use soap and water. Lightly brush textured metals with a soft, dry brush to remove dirt.

Top Edge Details



Knife Edge - Veneer & Laminate

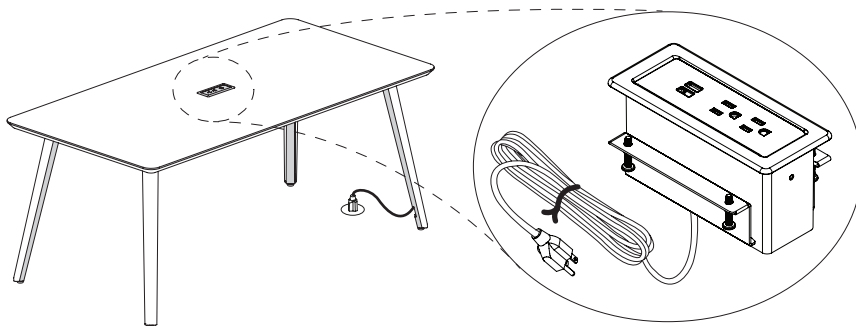


Painted Knife Edge with Solid Surface Top

Optional Power Units

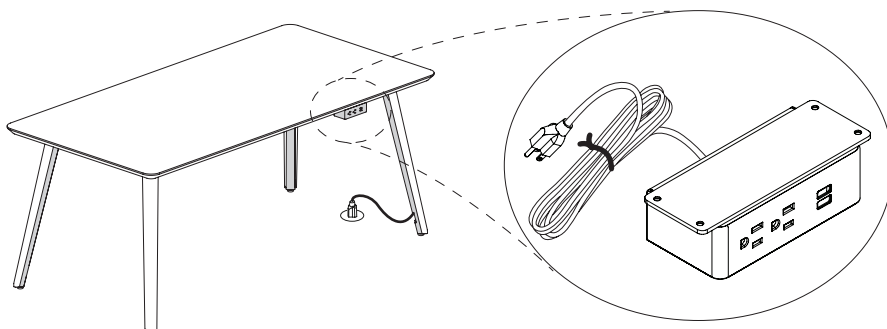
Worksurface Surface Power

Optional Worksurface Power (EC26) is available on standard, counter and bar height tables. Indicate "to accommodate Worksurface Power" on your purchase order. When this option is specified the worksurface will have one cut out in the center. One EC26 Worksurface Power unit must be ordered separately, [see page BU23](#). Length of cord is 10 feet.



Under Surface Power

Under Surface Power (EC27) may be ordered for standard, counter and bar height tables. The EC27 Under Surface Power Unit(s) must be ordered separately, [see page BU23](#). This unit is field installed. Length of cord is 10 feet.

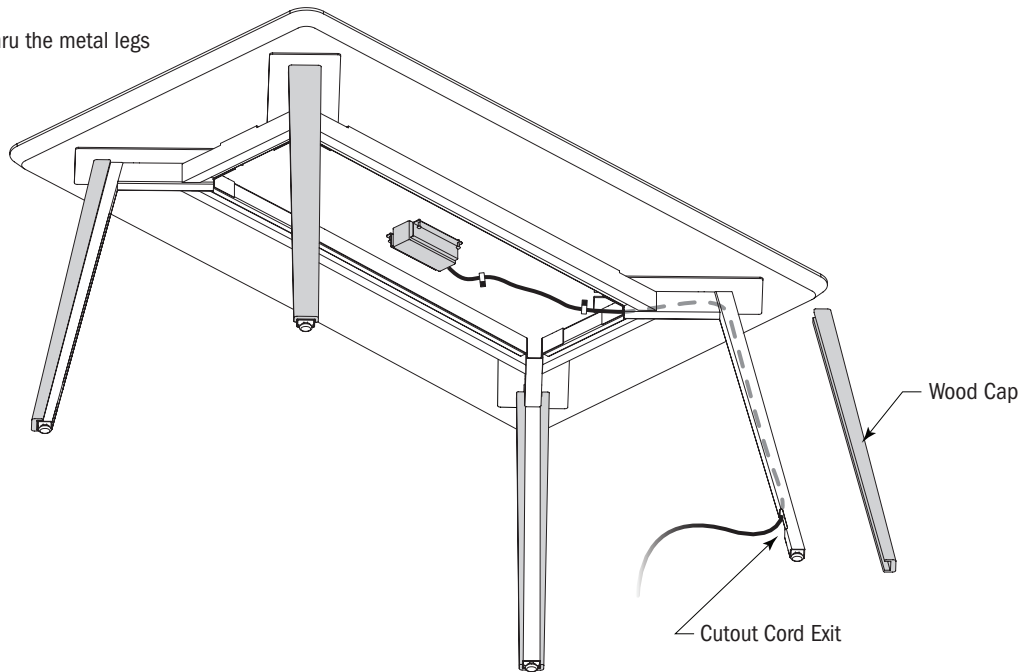


Bourne Tables and Casework Product Information

Wire Management - Standard and Counter Height Tables

Standard and counter height tables with metal legs contain one leg with a wire management channel/exit cutout which is accessed and concealed with a wood cap. This wire management leg can be attached to any corner of the table during assembly. Predetermining which corner of table cord exit is desired and assemble accordingly.

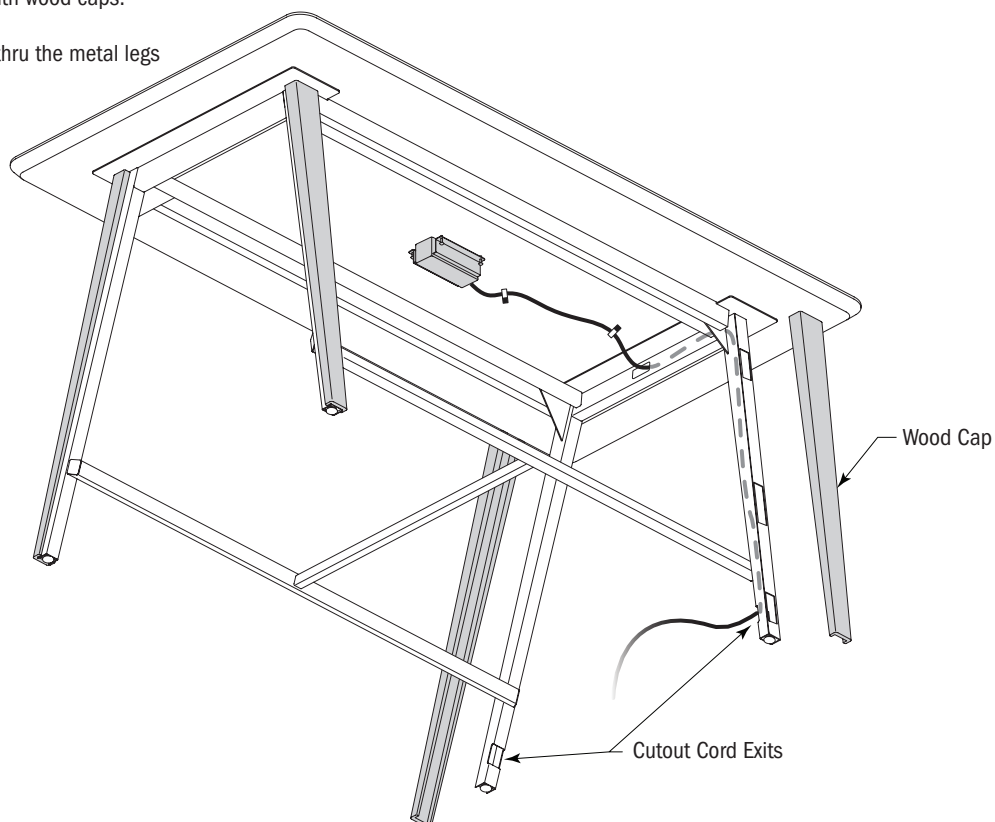
Note: 90" plug will not fit thru the metal legs



Wire Management - Bar Height Tables

Bar height tables with metal legs has a set of legs on one side of table with wire management channel and exit cutout. The management channels are accessed and concealed with wood caps.

Note: 90" plug will not fit thru the metal legs

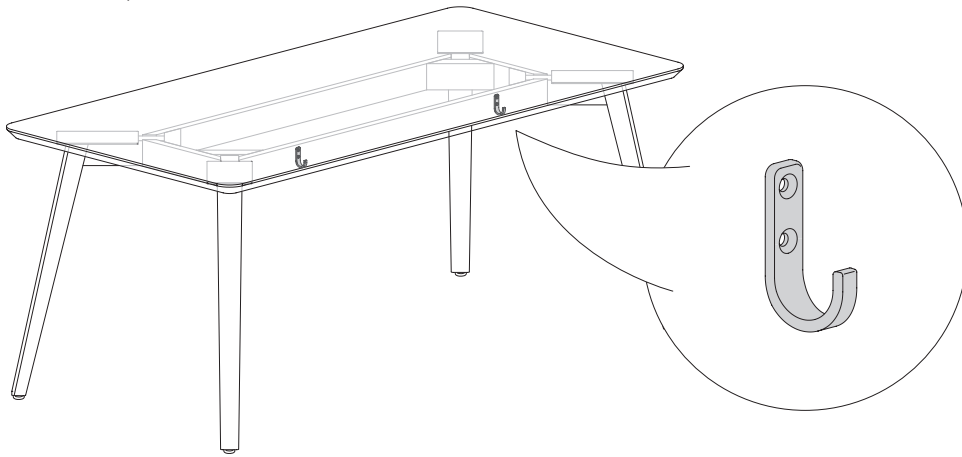


Bourne Tables and Casework Product Information

Optional Accessory Hooks

Optional satin stainless steel accessory hooks are available on the 30"h, 36"h and 40"h tables.

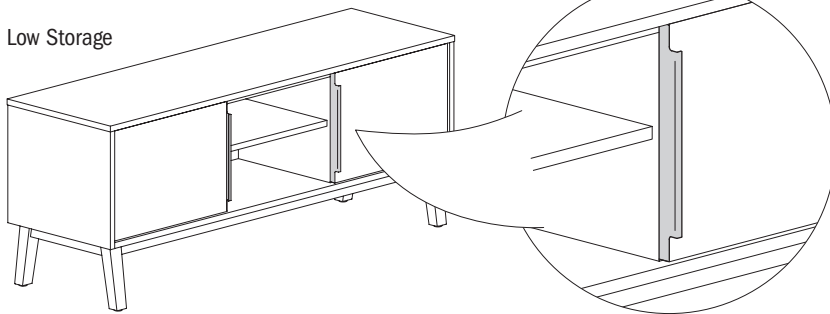
Four Hooks - add \$199 list



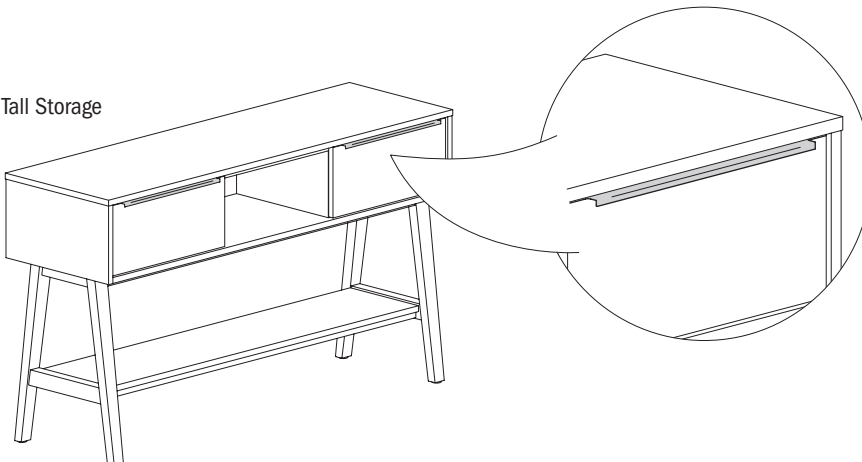
Integrated Metal Pull

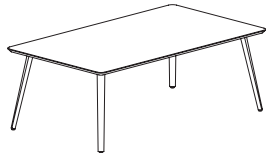
Storage Units offer integrated clear anodized aluminum pulls standard.

Low Storage




Tall Storage



Description	D	W	H	CTN WT	CU FT	① Model	Essentials or HPL Laminate Top	Artisan Veneer Top	Solid Surface Top
30" h Rectangular Table with Wood Legs 	48	90	30	210	38	BU4890-30TTWL	\$3,419	\$3,490	\$8,767
	48	90	30	200	35	BU4884-30TTWL	\$3,351	\$3,420	\$8,697
	48	72	30	180	30	BU4872-30TTWL	\$3,101	\$3,171	\$5,968
	42	90	30	191	33	BU4290-30TTWL	\$3,311	\$3,382	\$8,657
	42	84	30	183	31	BU4284-30TTWL	\$3,128	\$3,195	\$8,430
	42	72	30	165	27	BU4272-30TTWL	\$2,929	\$2,998	\$5,771
	36	72	30	151	23	BU3672-30TTWL	\$2,807	\$2,877	\$5,647

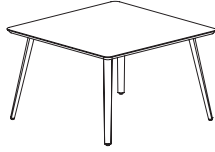
- ships KD
- optional accessory hooks (four hooks) available, specify and add \$199 list, [see page BU11](#)
- EC26 worksurface power available, specify "to accommodate worksurface power" on your purchase order; one EC26 unit must be ordered separately, [see page BU23](#)
- EC27 under surface power available, [see page BU23](#)
- knife edge
- walnut legs/apron available, specify and add \$561 list

BOURNE

30" h Racetrack Table with Wood Legs 	48	90	30	193	38	BU4890-30RTWL	\$3,385	\$3,453	\$8,730
	48	84	30	183	35	BU4884-30RTWL	\$3,312	\$3,383	\$8,660
	48	72	30	163	30	BU4872-30RTWL	\$3,062	\$3,131	\$5,927
	42	90	30	178	33	BU4290-30RTWL	\$3,280	\$3,349	\$8,626
	42	84	30	170	31	BU4284-30RTWL	\$3,094	\$3,165	\$8,395
	42	72	30	152	27	BU4272-30RTWL	\$2,895	\$2,963	\$5,732
	42	60	30	135	23	BU4260-30RTWL	\$2,732	\$2,803	\$5,574

- ships KD
- optional accessory hooks (four hooks) available, specify and add \$199 list, [see page BU11](#)
- EC26 worksurface power available, specify "to accommodate worksurface power" on your purchase order; one EC26 unit must be ordered separately, [see page BU23](#)
- EC27 under surface power available, [see page BU23](#)
- knife edge
- walnut legs/apron available, specify and add \$561 list

Description	D	W	H	CTN WT	CU FT	❶ Model	Essentials or HPL Laminate Top	Artisan Veneer Top	Solid Surface Top
30" Square Table with Wood Legs	60	60	30	185	32	BU6060-30TTWL	\$3,209	\$3,279	\$6,120
	48	48	30	141	21	BU4848-30TTWL	\$2,723	\$2,794	\$4,960
	42	42	30	122	16	BU4242-30TTWL	\$2,604	\$2,675	\$4,843



- ships KD
- optional accessory hooks (four hooks) available, specify and add \$199 list, [see page BU11](#)
- EC26 worksurface power available, specify "to accommodate worksurface power" on your purchase order; one EC26 unit must be ordered separately, [see page BU23](#)
- EC27 under surface power available, [see page BU23](#)
- knife edge
- walnut legs/apron available, specify and add \$561 list

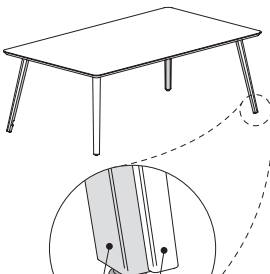
30" Round Table with Wood Legs	60	60	30	159	32	BU60-30RDWL	\$3,149	\$3,219	\$6,061
--------------------------------	----	----	----	-----	----	-------------	---------	---------	---------



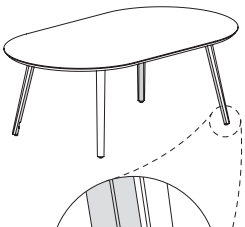
- ships KD
- optional accessory hooks (four hooks) available, specify and add \$199 list, [see page BU11](#)
- EC26 worksurface power available, specify "to accommodate worksurface power" on your purchase order; one EC26 unit must be ordered separately, [see page BU23](#)
- EC27 under surface power available, [see page BU23](#)
- knife edge
- walnut legs/apron available, specify and add \$561 list

To Order, Specify:

- ❶ Model Number
- ❷ Top Material:
 - a.) Veneer [See Veneer Top Finish Options](#)
 - 1.) Finish Color
 - b.) Laminate [See Laminate Top Options](#)
 - 1.) Laminate Color
 - c.) Solid Surface [See Solid Surface Top Options](#)
- ❸ Legs/Apron:
 - a.) Wood Finish [See Wood Finish Options](#)
 - b.) Paint Color [See Paint Color Options](#)
- ❹ Optional Accessory Hooks - four hooks; specify and add \$199 list, ([see page BU11](#))
- ❺ Optional Power Units:
 - a.) Work Surface Power; specify with EC26 cut-out.
EC26 must be ordered separately, ([see page BU23](#))
 - b.) Under Surface Power; mounts under top.
EC27 must be ordered separately, ([see page BU23](#))

Description	D	W	H	CTN WT	CU FT	① Model	Essentials or HPL Laminate Top	Artisan Veneer Top	Solid Surface Top
30" h Rectangular Table with Wood/Metal Legs 	48	90	30	222	38	BU4890-30TTML	\$5,732	\$5,802	\$11,080
	48	84	30	212	35	BU4884-30TTML	\$5,613	\$5,683	\$10,959
	48	72	30	192	30	BU4872-30TTML	\$5,313	\$5,383	\$8,183
	42	90	30	203	33	BU4290-30TTML	\$5,554	\$5,623	\$10,900
	42	84	30	195	31	BU4284-30TTML	\$5,324	\$5,390	\$10,623
	42	72	30	177	27	BU4272-30TTML	\$5,075	\$5,146	\$7,915
	36	72	30	162	23	BU3672-30TTML	\$4,916	\$4,983	\$7,755

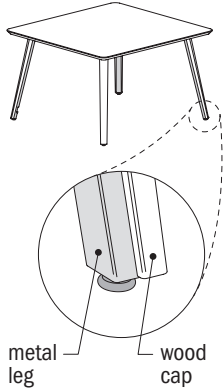
- ships KD
- metal legs with removable wood surround to access and manage wires
- optional accessory hooks (four hooks) available, specify and add \$199 list, [see page BU11](#)
- EC26 worksurface power available, specify "to accommodate worksurface power" on your purchase order; one EC26 unit must be ordered separately, [see page BU23](#)
- EC27 under surface power available, [see page BU23](#)
- knife edge
- walnut legs/apron available, specify and add \$388 list

30" h Racetrack Table with Wood/Metal Legs 	48	90	30	205	38	BU4890-30RTML	\$5,522	\$5,592	\$10,869
	48	84	30	195	35	BU4884-30RTML	\$5,393	\$5,463	\$10,738
	48	72	30	175	30	BU4872-30RTML	\$5,071	\$5,139	\$7,939
	42	90	30	190	33	BU4290-30RTML	\$5,380	\$5,450	\$10,725
	42	84	30	182	31	BU4284-30RTML	\$5,139	\$5,210	\$10,443
	42	72	30	164	27	BU4272-30RTML	\$4,870	\$4,939	\$7,710
	42	60	30	147	23	BU4260-30RTML	\$4,627	\$4,697	\$7,467

- ships KD
- metal legs with removable wood surround to access and manage wires
- optional accessory hooks (four hooks) available, specify and add \$199 list, [see page BU11](#)
- EC26 worksurface power available, specify "to accommodate worksurface power" on your purchase order; one EC26 unit must be ordered separately, [see page BU23](#)
- EC27 under surface power available, [see page BU23](#)
- knife edge
- walnut legs/apron available, specify and add \$388 list

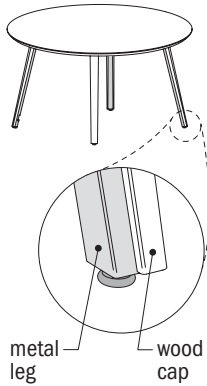
BOURNE

Description	D	W	H	CTN WT	CU FT	① Model	Essentials or HPL Laminate Top	Artisan Veneer Top	Solid Surface Top
30" Square Table with Wood/Metal Legs	60	60	30	197	32	BU6060-30TTML	\$5,403	\$5,472	\$8,314
	48	48	30	153	21	BU4848-30TTML	\$4,788	\$4,855	\$7,027
	42	42	30	134	16	BU4242-30TTML	\$4,521	\$4,590	\$6,757



- ships KD
- metal legs with removable wood surround to access and manage wires
- optional accessory hooks (four hooks) available, specify and add \$199 list, [see page BU11](#)
- EC26 worksurface power available, specify "to accommodate worksurface power" on your purchase order; one EC26 unit must be ordered separately, [see page BU23](#)
- EC27 under surface power available, [see page BU23](#)
- knife edge
- walnut legs/apron available, specify and add \$388 list

30" Round Table with Wood/Metal Legs	60	60	30	170	32	BU60-30RDML	\$5,066	\$5,134	\$7,962
--------------------------------------	----	----	----	-----	----	-------------	---------	---------	---------

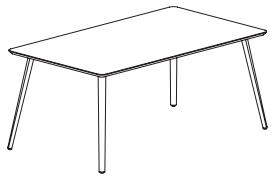


- ships KD
- metal legs with removable wood surround to access and manage wires
- optional accessory hooks (four hooks) available, specify and add \$199 list, [see page BU11](#)
- EC26 worksurface power available, specify "to accommodate worksurface power" on your purchase order; one EC26 unit must be ordered separately, [see page BU23](#)
- EC27 under surface power available, [see page BU23](#)
- knife edge
- walnut legs/apron available, specify and add \$388 list

To Order, Specify:

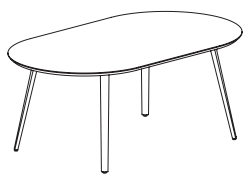
- ① Model Number
- ② Top Material:
 - a.) Finish Color
 - b.) Laminate [See Laminate Top Options](#)
 - 1.) Laminate Color
 - c.) Solid Surface [See Solid Surface Top Options](#)
- ③ Legs/Apron:
 - a.) Wood Finish [See Wood Finish Options](#)
 - b.) Paint Color [See Paint Color Options](#)
- ④ Metal Leg Color [See Metal Leg Color Options](#)
- ⑤ Optional Accessory Hooks - four hooks; specify and add \$199 list, ([see page BU11](#))
- ⑥ Optional Power Units:
 - a.) Work Surface Power; specify with EC26 cut-out.
EC26 must be ordered separately, ([see page BU23](#))
 - b.) Under Surface Power; mounts under top.
EC27 must be ordered separately, ([see page BU23](#))

BOURNE

Description	D	W	H	CTN WT	CU FT	① Model	Essentials or HPL Laminate Top	Artisan Veneer Top	Solid Surface Top
36" h Rectangular Table with Wood Legs 	48	90	36	202	38	BU4890-36TTWL	\$3,594	\$3,664	\$8,941
	48	84	36	192	35	BU4884-36TTWL	\$3,526	\$3,596	\$8,872
	48	72	36	172	30	BU4872-36TTWL	\$3,274	\$3,345	\$6,143
	42	90	36	184	33	BU4290-36TTWL	\$3,486	\$3,555	\$8,833
	42	84	36	175	31	BU4284-36TTWL	\$3,302	\$3,370	\$8,602
	42	72	36	158	27	BU4272-36TTWL	\$3,102	\$3,172	\$5,944
	36	72	36	143	23	BU3672-36TTWL	\$2,981	\$3,051	\$5,822

- ships KD
- optional accessory hooks (four hooks) available, specify and add \$199 list, [see page BU11](#)
- EC26 worksurface power available, specify "to accommodate worksurface power" on your purchase order; one EC26 unit must be ordered separately, [see page BU23](#)
- EC27 under surface power available, [see page BU23](#)
- knife edge
- walnut legs/apron available, specify and add \$665 list

BOURNE

36" h Racetrack Table with Wood Legs 	48	90	36	185	38	BU4890-36RTWL	\$3,559	\$3,628	\$8,905
	48	84	36	175	35	BU4884-36RTWL	\$3,487	\$3,558	\$8,834
	48	72	36	155	30	BU4872-36RTWL	\$3,233	\$3,305	\$6,102
	42	90	36	171	33	BU4290-36RTWL	\$3,453	\$3,524	\$8,801
	42	84	36	162	31	BU4284-36RTWL	\$3,267	\$3,336	\$8,570
	42	72	36	145	27	BU4272-36RTWL	\$3,066	\$3,136	\$5,905
	42	60	36	127	23	BU4260-36RTWL	\$2,907	\$2,977	\$5,750

- ships KD
- optional accessory hooks (four hooks) available, specify and add \$199 list, [see page BU11](#)
- EC26 worksurface power available, specify "to accommodate worksurface power" on your purchase order; one EC26 unit must be ordered separately, [see page BU23](#)
- EC27 under surface power available, [see page BU23](#)
- knife edge
- walnut legs/apron available, specify and add \$665 list

Description	D	W	H	CTN WT	CU FT	① Model	Essentials or HPL Laminate Top	Artisan Veneer Top	Solid Surface Top
36" Square Table with Wood Legs	60	60	36	177	32	BU6060-36TTWL	\$3,383	\$3,452	\$6,295
	48	48	36	133	21	BU4848-36TTWL	\$2,898	\$2,966	\$5,133
	42	42	36	114	16	BU4242-36TTWL	\$2,778	\$2,847	\$5,017



- ships KD
- optional accessory hooks (four hooks) available, specify and add \$199 list, [see page BU11](#)
- EC26 worksurface power available, specify "to accommodate worksurface power" on your purchase order; one EC26 unit must be ordered separately, [see page BU23](#)
- EC27 under surface power available, [see page BU23](#)
- knife edge
- walnut legs/apron available, specify and add \$665 list

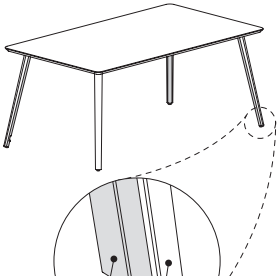
36" Round Table with Wood Legs	60	60	36	151	32	BU60-36RDWL	\$3,322	\$3,392	\$6,234
--------------------------------	----	----	----	-----	----	-------------	---------	---------	---------



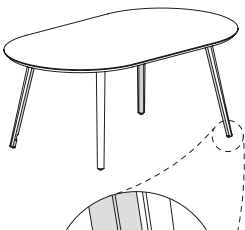
- ships KD
- optional accessory hooks (four hooks) available, specify and add \$199 list, [see page BU11](#)
- EC26 worksurface power available, specify "to accommodate worksurface power" on your purchase order; one EC26 unit must be ordered separately, [see page BU23](#)
- EC27 under surface power available, [see page BU23](#)
- knife edge
- walnut legs/apron available, specify and add \$665 list

To Order, Specify:

- ① Model Number
- ② Top Material:
 - a.) Veneer [See Veneer Top Finish Options](#)
 - 1.) Finish Color
 - b.) Laminate [See Laminate Top Options](#)
 - 1.) Laminate Color
 - c.) Solid Surface [See Solid Surface Top Options](#)
- ③ Legs/Apron:
 - a.) Wood Finish [See Wood Finish Options](#)
 - b.) Paint Color [See Paint Color Options](#)
- ④ Optional Accessory Hooks - four hooks; specify and add \$199 list, ([see page BU11](#))
- ⑤ Optional Power Units:
 - a.) Work Surface Power; specify with EC26 cut-out.
EC26 must be ordered separately, ([see page BU23](#))
 - b.) Under Surface Power; mounts under top.
EC27 must be ordered separately, ([see page BU23](#))

Description	D	W	H	CTN WT	CU FT	① Model	Essentials or HPL Laminate Top	Artisan Veneer Top	Solid Surface Top
36" h Rectangular Table with Wood/Metal Legs 	48	90	36	230	38	BU4890-36TTML	\$5,942	\$6,010	\$11,287
	48	84	36	220	35	BU4884-36TTML	\$5,822	\$5,891	\$11,168
	48	72	36	200	30	BU4872-36TTML	\$5,523	\$5,593	\$8,393
	42	90	36	212	33	BU4290-36TTML	\$5,761	\$5,831	\$11,107
	42	84	36	203	31	BU4284-36TTML	\$5,530	\$5,599	\$10,831
	42	72	36	186	27	BU4272-36TTML	\$5,286	\$5,352	\$8,123
	36	72	36	171	23	BU3672-36TTML	\$5,122	\$5,192	\$7,962

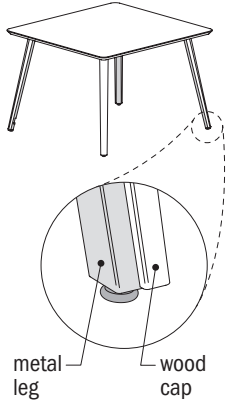
- ships KD
- metal legs with removable wood surround to access and manage wires
- optional accessory hooks (four hooks) available, specify and add \$199 list, [see page BU11](#)
- EC26 worksurface power available, specify "to accommodate worksurface power" on your purchase order; one EC26 unit must be ordered separately, [see page BU23](#)
- EC27 under surface power available, [see page BU23](#)
- knife edge
- walnut legs/apron available, specify and add \$492 list

36" h Racetrack Table with Wood/Metal Legs 	48	90	36	213	38	BU4890-36RTML	\$5,730	\$5,800	\$11,077
	48	84	36	203	35	BU4884-36RTML	\$5,601	\$5,672	\$10,948
	48	72	36	183	30	BU4872-36RTML	\$5,276	\$5,348	\$8,147
	42	90	36	199	33	BU4290-36RTML	\$5,590	\$5,658	\$10,935
	42	84	36	190	31	BU4284-36RTML	\$5,348	\$5,417	\$10,652
	42	72	36	173	27	BU4272-36RTML	\$5,077	\$5,148	\$7,918
	42	60	36	155	23	BU4260-36RTML	\$4,834	\$4,905	\$7,675

- ships KD
- metal legs with removable wood surround to access and manage wires
- optional accessory hooks (four hooks) available, specify and add \$199 list, [see page BU11](#)
- EC26 worksurface power available, specify "to accommodate worksurface power" on your purchase order; one EC26 unit must be ordered separately, [see page BU23](#)
- EC27 under surface power available, [see page BU23](#)
- knife edge
- walnut legs/apron available, specify and add \$492 list

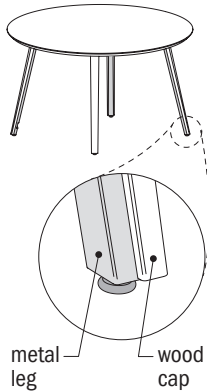
BOURNE

Description	D	W	H	CTN WT	CU FT	① Model	Essentials or HPL Laminate Top	Artisan Veneer Top	Solid Surface Top
36" Square Table with Wood/Metal Legs	60	60	36	205	32	BU6060-36TTML	\$5,611	\$5,681	\$8,522
	48	48	36	161	21	BU4848-36TTML	\$4,996	\$5,066	\$7,234
	42	42	36	142	16	BU4242-36TTML	\$4,729	\$4,798	\$6,965



- ships KD
- metal legs with removable wood surround to access and manage wires
- optional accessory hooks (four hooks) available, specify and add \$199 list, [see page BU11](#)
- EC26 worksurface power available, specify "to accommodate worksurface power" on your purchase order; one EC26 unit must be ordered separately, [see page BU23](#)
- EC27 under surface power available, [see page BU23](#)
- knife edge
- walnut legs/apron available, specify and add \$492 list

36" Round Table with Wood/Metal Legs	60	60	36	179	32	BU60-36RDML	\$5,272	\$5,342	\$8,174
--------------------------------------	----	----	----	-----	----	-------------	---------	---------	---------




- ships KD
- metal legs with removable wood surround to access and manage wires
- optional accessory hooks (four hooks) available, specify and add \$199 list, [see page BU11](#)
- EC26 worksurface power available, specify "to accommodate worksurface power" on your purchase order; one EC26 unit must be ordered separately, [see page BU23](#)
- EC27 under surface power available, [see page BU23](#)
- knife edge
- walnut legs/apron available, specify and add \$492 list

To Order, Specify:

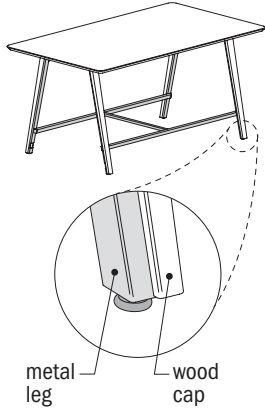
- ① Model Number
- ② Top Material:
 - a.) Veneer [See Veneer Top Finish Options](#)
 - 1.) Finish Color
 - b.) Laminate [See Laminate Top Options](#)
 - 1.) Laminate Color
 - c.) Solid Surface [See Solid Surface Top Options](#)
- ③ Legs/Apron:
 - a.) Wood Finish [See Wood Finish Options](#)
 - b.) Paint Color [See Paint Color Options](#)
- ④ Metal Leg Color [See Metal Leg Color Options](#)
- ⑤ Optional Accessory Hooks - four hooks; specify and add \$199 list, ([see page BU11](#))
- ⑥ Optional Power Units:
 - a.) Work Surface Power; specify with EC26 cut-out.
EC26 must be ordered separately, ([see page BU23](#))
 - b.) Under Surface Power; mounts under top.
EC27 must be ordered separately, ([see page BU23](#))

BOURNE

Description	D	W	H	CTN WT	CU FT	① Model	Essentials or HPL Laminate Top	Artisan Veneer Top	Solid Surface Top
40" h Rectangular Table with Wood Legs 	48	90	40	219	38	BU4890-40TTWLH	\$4,781	\$4,849	\$10,125
	48	84	40	209	35	BU4884-40TTWLH	\$4,649	\$4,717	\$9,994
	48	72	40	189	30	BU4872-40TTWLH	\$4,367	\$4,435	\$7,234
	42	90	40	200	33	BU4290-40TTWLH	\$4,683	\$4,752	\$10,029
	42	84	40	192	31	BU4284-40TTWLH	\$4,447	\$4,517	\$9,750
	42	72	40	174	27	BU4272-40TTWLH	\$4,238	\$4,307	\$7,078

- ships KD
- optional accessory hooks (four hooks) available, specify and add \$199 list, [see page BU11](#)
- EC26 worksurface power available, specify "to accommodate worksurface power" on your purchase order; one EC26 unit must be ordered separately, [see page BU23](#)
- EC27 under surface power available, [see page BU23](#)
- metal foot rail
- knife edge
- walnut legs/apron available, specify and add \$768 list

Description	D	W	H	CTN WT	CU FT	❶ Model	Essentials or HPL Laminate Top	Artisan Veneer Top	Solid Surface Top
40" h Rectangular Table with Wood/Metal Legs	48	90	40	247	38	BU4890-40TTMLH	\$6,856	\$6,924	\$12,201
	48	84	40	237	35	BU4884-40TTMLH	\$6,688	\$6,757	\$12,035
	48	72	40	217	30	BU4872-40TTMLH	\$6,310	\$6,379	\$9,180
	42	90	40	228	33	BU4290-40TTMLH	\$6,755	\$6,826	\$12,103
	42	84	40	220	31	BU4284-40TTMLH	\$6,453	\$6,523	\$11,757
	42	72	40	202	27	BU4272-40TTMLH	\$6,161	\$6,231	\$9,002



- ships KD
- metal legs with removable wood surround to access and manage wires
- optional accessory hooks (four hooks) available, specify and add \$199 list, [see page BU11](#)
- EC26 worksurface power available, specify "to accommodate worksurface power" on your purchase order; one EC26 unit must be ordered separately, [see page BU23](#)
- EC27 under surface power available, [see page BU23](#)
- metal foot rail, color will be same as the metal leg
- knife edge
- walnut legs/apron available, specify and add \$576 list

To Order, Specify:

- ❶ Model Number
- ❷ Top Material:
 - a.) Veneer [See Veneer Top Finish Options](#)
 - 1.) Finish Color
 - b.) Laminate [See Laminate Top Options](#)
 - 1.) Laminate Color
 - c.) Solid Surface [See Solid Surface Top Options](#)
- ❸ Legs/Apron:
 - a.) Wood Finish [See Wood Finish Options](#)
 - b.) Paint Color [See Paint Color Options](#)
- ❹ Metal Leg Color [See Metal Leg Color Options](#)
- ❺ Optional Accessory Hooks - four hooks; specify and add \$199 list, ([see page BU11](#))
- ❻ Optional Power Units:
 - a.) Work Surface Power; specify with EC26 cut-out.
EC26 must be ordered separately, ([see page BU23](#))
 - b.) Under Surface Power; mounts under top.
EC27 must be ordered separately, ([see page BU23](#))

BOURNE

Description	D	W	H	CTN WT	CU FT	① Model	Essentials Veneer Top	Artisan Veneer Top
Tall Storage	18	30	42	115	6	BU1830-42STWR	\$3,412	\$3,619
	18	30	42	115	6	BU1830-42STWL	\$3,412	\$3,619



left shown

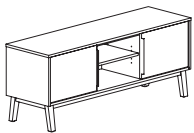
- hinged door cabinet contains two coat hooks standard
- open cabinet contains two adjustable shelves
- integrated clear anodized aluminum pull
- walnut base available when walnut chassis is specified, specify and add \$178 list
- laminate top not available

Mid Storage	18	60	34	151	11	BU1860-34SCD	\$3,876	\$4,084
-------------	----	----	----	-----	----	---------------------	---------	---------



- two drawers
- open center cabinet
- veneer lower shelf
- integrated clear anodized aluminum pulls
- walnut base available when walnut chassis is specified, specify and add \$282 list
- laminate top not available

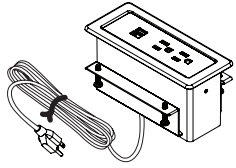
Low Storage	18	60	24	145	11	BU1860-24SCHD	\$3,708	\$3,918
-------------	----	----	----	-----	----	----------------------	---------	---------



- two single hinged door cabinets - both contain one adjustable shelf
- open center cabinet has one adjustable shelf
- integrated clear anodized aluminum pulls
- walnut base available when walnut chassis is specified, specify and add \$249 list
- laminate top not available

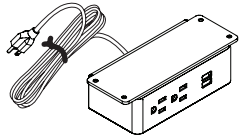
BOURNE

Description	D	W	H	CTN WT	CU FT	① Model	List Price
Worksurface Power	2 7/8	6 3/8	3	3	1	EC26	\$532



- two power receptacles - 120 volt; 15 amp dual powered USB
- 120" power cord with molded plug
- White (W) or Black (B) finish available, specify when ordering
- UL recognized
- meets UL spill requirements

Under Surface Power	3	6 1/2	1 13/16	2	1	EC27	\$419
---------------------	---	-------	---------	---	---	------	-------



- two power receptacles - 120 volt; 15 amp dual powered USB
- 120" power cord with molded plug
- White (W) or Black (B) finish available, specify when ordering
- UL recognized

BOURNE

To Order, Specify:

- ① Model Number
- ② Chassis/Base - [See Essentials or Artisan Veneer Collection](#)
- ⑤ Door Finish [See Door Paint Color Options](#)
 - a.) Wood Finish - same as chassis/base
 - b.) Paint Color

Bourne Seating Order Check List:



Specify:

- 1. Model Number
- 2. Wood Species - Maple (M) or Walnut (W) upcharge applies when Walnut is specified
- 3. Wood Finish
- 4. Fabric Selection - vendor, pattern and color
- 5. Metal Foot Rail Color -
- 6. Optional Rubber Cushion Nylon Glides - no upcharge

Example:

BU7511D | **M** | **BAR** | **MOMENTUM** | **VOX** | **MYSTIC**
 (model #) | (species) | (finish) | (fabric vendor) | (pattern name) | (pattern color)

1. Model Number

2. Wood Species - Maple (M) or Walnut (W); upcharge applies

3. Wood Finish Options:

Maple Frame

BAR	Barrel	MCH	Mocha
BRK	Brickdust	OBK	Outback
BUF	Buff	PIL	Pilsner
CSK	Cask	PIN	Pinnacle Walnut
CND	Cinder	RAV	Raven
CLY	Clay	RYE	Rye
EGR	Egret	SAB	Sable
FAW	Fawn	SAD	Saddle
FLX	Flax	SIE	Sienna
FLN	Flint	TRF	Truffle
FLO	Florence Walnut	UMB	Umber
LOF	Loft	VAL	Valley
MES	Mesa	WLH	Walnut Heights
MIN	Mineral		

Walnut Frame (optional, upcharge applies)

BRK	Brickdust	PIN	Pinnacle Walnut
CSK	Cask	SIE	Sienna
MES	Mesa	TRF	Truffle
MCH	Mocha	UMB	Umber

4. Fabric Selection - Please supply the following:
 Fabric vendor/ Pattern name/ Pattern color

[For a complete list of JSI Standard and Graded-In Textiles click here](#)

When specifying dual upholstery, indicate clearly which upholstery is to be applied to the seat/lower back and the upper back.

- Indicate direction of fabric - Railroaded or Up the Roll
- Please provide illustration, if available

All COM orders must include the following:

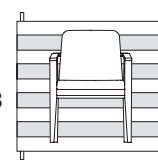
- Vendor's name, pattern name and color
- Sample of the fabric attached to the order
- Model numbers of items for fabric application
- Special application instructions (e.g., all stripes will be applied front to back unless specified otherwise)
- Customer and purchase order number

Ship prepaid COM material to:

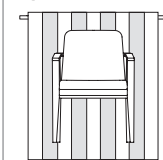
JSI
 Attn: COM Department
 201 East Martin Street
 Receiving B, Docks 71-73
 Orleans, IN 47452

Application of fabric:

Railroaded



Up the Roll



All COM orders will ship at standard lead time from receipt of COM except for orders requiring special custom matched finishes.

5. Metal Foot Rail Color - specify color:

ABZ	Aged Bronze	PEW	Pewter
ASL	Arctic Silver	SBZ	Soft Bronze
GLD	Gold	SNK	Soft Nickel
MBK	Matte Black		

6. Optional Rubber Cushion Nylon Glides - no upcharge

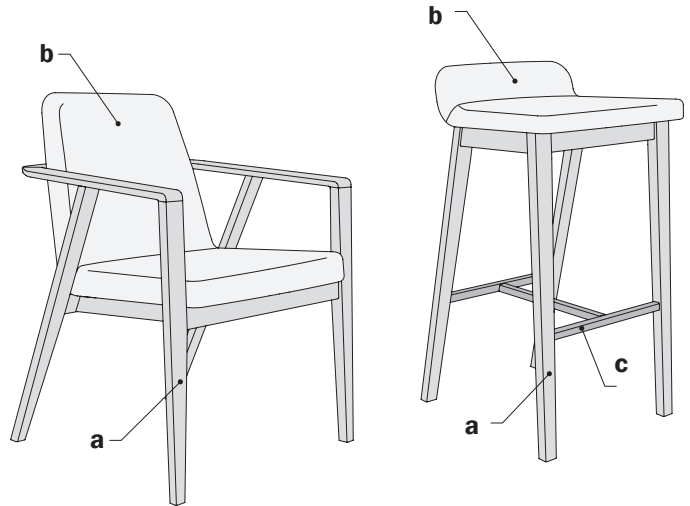
Single Textile Seating

- a. frame species
(choose one)
 - _____ maple
 - _____ walnut (*upcharge applies*)

- finish color:
(see previous page for finish choices) _____

- b. fabric selection
 - _____ vendor
 - _____ pattern
 - _____ color

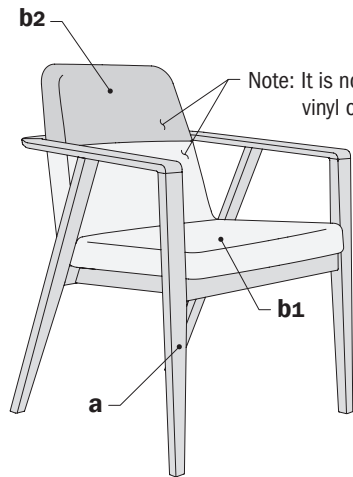
- c. metal color (*if applicable*)
(choose one)



Dual Textile Seating

- a. frame finish color:
(see previous page for finish choices) _____

- b. fabric selection;
 - b1.) seat and lower back
 - _____ vendor
 - _____ pattern
 - _____ color
 - b2.) upper back
 - _____ vendor
 - _____ pattern
 - _____ color



Note: It is not recommended to combine vinyl or leather material to fabric.

Bourne Tables Order Check List:



Specify:

- 1. Model Number
- 2. Top Material
 - a.) Veneer
 - 1.) Wood Finish
 - b.) Laminate
 - 1.) Laminate Color
 - c.) Solid Surface
 - 1.) Solid Surface Color
- 3. Legs/Apron Wood Finish
 - a.) Solid Maple
 - 1.) Wood or Paint Color
 - b.) Solid Walnut - upcharge applies
 - 1.) Wood Finish

Example:

BU2448-17TTWL | **FLX** | **BWH**
 (model #) | (top material wood finish) | (legs/apron paint color)

1. Model Number

2. Top Material Selection:

Veneer

*finishes have coordinating laminate top

ESS Essentials Veneer Collection

BRK	Brickdust*	MIN	Mineral*
CSK	Cask*	MCH	Mocha*
CLY	Clay*	OBK	Outback*
FAW	Fawn*	PIL	Pilsner*
FLX	Flax	SIE	Sienna
FLN	Flint*	TRF	Truffle
LOF	Loft*	UMB	Umber*
MES	Mesa*	VAL	Valley*

ART Artisan Veneer Collection

BAR	Barrel	RAV	Raven
BUF	Buff	RYE	Rye
CND	Cinder	SAB	Sable
EGR	Egret*	SAD	Saddle

Top Material Selection (continued):

Laminate

TFL-HPL Woodgrain Laminates

BEL	Belair	MIN	Mineral
BRK	Brickdust	MCH	Mocha
CSK	Cask	OBK	Outback
CLY	Clay	PIL	Pilsner
EGR	Egret	PIN	Pinnacle Walnut
FAW	Fawn	UMB	Umber
FLN	Flint	VAL	Valley
FLO	Florence Walnut	WLH	Walnut Heights
LOF	Loft	WEA	Weathered Ash
MES	Mesa		

TFL-HPL Solid Laminates

ALB	Alabaster	SHD	Shadow
BLK	Black	SLG	Slate Grey
BBL	Bridal Blanco	ZEN	Zen Grey
DWH	Designer White		

Solid Surface

ONX	Black Onyx Mirage	HST	Hot Stone
DWH	Designer White	SOG	Soothing Grey

BOURNE

3. Legs/Apron Selection:

Wood Finish:

BAR	Barrel	MCH	Mocha [†]
BRK	Brickdust [†]	OBK	Outback
BUF	Buff	PIL	Pilsner
CSK	Cask [†]	PIN	Pinnacle Walnut [†]
CND	Cinder	RAV	Raven
CLY	Clay	RYE	Rye
EGR	Egret	SAB	Sable
FAW	Fawn	SAD	Saddle
FLX	Flax	SIE	Sienna [†]
FLN	Flint	TRF	Truffle [†]
FLO	Florence Walnut	UMB	Umber [†]
LOF	Loft	VAL	Valley
MES	Mesa [†]	WLH	Walnut Heights
MIN	Mineral		

[†]Finishes may be specified to have Maple or Walnut Leg/Apron. Walnut will have an upcharge.

Paint Color:

BKD	Backdrop	NWH	Nonchalant White
BFX	Black Fox	SVP	Silverplate
BWH	Bright White	SKS	Skyline Steel
CHT	Chatroom	STM	Storm
GAL	Gale Force	TRC	Tricorn Black
GRV	Greek Villa	UKH	Universal Khaki

Table Order Check List

a. worksurface - veneer, laminate, or solid surface choice
(choose one)

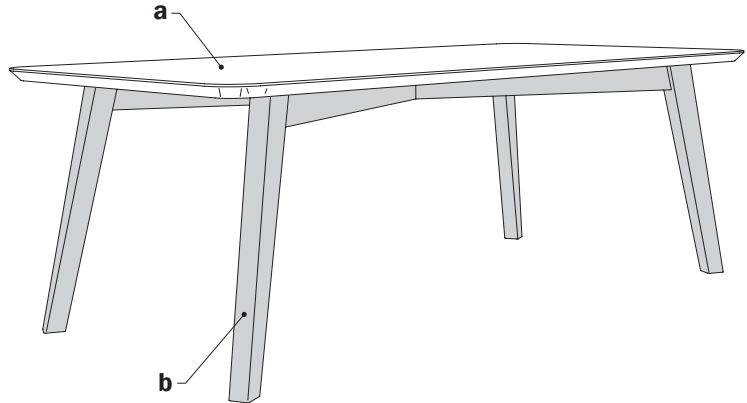
- veneer laminate
 solid surface

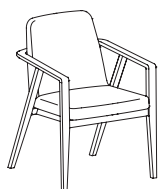
finish, laminate or solid surface color:
(see previous page for choices) _____

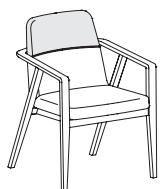
b. legs/apron
(choose one)

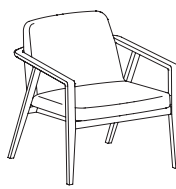
- maple
 walnut (*upcharge applies*)

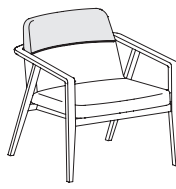
legs/apron finish/paint color:
(see above for choices) _____






Description	① Model	Specifications	List Price Per Grade																																										
Guest Chair - Single Textile 	BU7511D · wall saver · maple frame standard · walnut frame available, specify and add \$248 list	<table border="1"> <thead> <tr> <th>Dimensions</th> <th>D</th> <th>W</th> <th>H</th> </tr> </thead> <tbody> <tr> <td>Overall</td> <td>26</td> <td>24 ¼</td> <td>33</td> </tr> <tr> <td>Seat</td> <td>18</td> <td>20 ¼</td> <td>18</td> </tr> <tr> <td>Arm</td> <td></td> <td></td> <td>25</td> </tr> </tbody> </table>	Dimensions	D	W	H	Overall	26	24 ¼	33	Seat	18	20 ¼	18	Arm			25	<table border="1"> <tbody> <tr><td>COM</td><td>\$1,527</td></tr> <tr><td>A</td><td>\$1,538</td></tr> <tr><td>B</td><td>\$1,558</td></tr> <tr><td>COL/C</td><td>\$1,594</td></tr> <tr><td>D</td><td>\$1,639</td></tr> <tr><td>E</td><td>\$1,678</td></tr> <tr><td>F</td><td>\$1,746</td></tr> <tr><td>G</td><td>\$1,819</td></tr> <tr><td>H</td><td>\$1,882</td></tr> <tr><td>I</td><td>\$1,993</td></tr> <tr><td>J</td><td>\$2,126</td></tr> <tr><td>L1</td><td>\$1,842</td></tr> <tr><td>L2</td><td>\$1,931</td></tr> </tbody> </table>	COM	\$1,527	A	\$1,538	B	\$1,558	COL/C	\$1,594	D	\$1,639	E	\$1,678	F	\$1,746	G	\$1,819	H	\$1,882	I	\$1,993	J	\$2,126	L1	\$1,842	L2	\$1,931
		Dimensions	D	W	H																																								
Overall	26	24 ¼	33																																										
Seat	18	20 ¼	18																																										
Arm			25																																										
COM	\$1,527																																												
A	\$1,538																																												
B	\$1,558																																												
COL/C	\$1,594																																												
D	\$1,639																																												
E	\$1,678																																												
F	\$1,746																																												
G	\$1,819																																												
H	\$1,882																																												
I	\$1,993																																												
J	\$2,126																																												
L1	\$1,842																																												
L2	\$1,931																																												
<table border="1"> <thead> <tr> <th>Upholstery</th> <th colspan="3">Shipping</th> </tr> </thead> <tbody> <tr> <td>COM Ydg</td> <td>1 ¼</td> <td>Ctn Wt</td> <td>25</td> </tr> <tr> <td>COL Sq Ft</td> <td>23</td> <td>Cu Ft</td> <td>14</td> </tr> </tbody> </table>	Upholstery	Shipping			COM Ydg	1 ¼	Ctn Wt	25	COL Sq Ft	23	Cu Ft	14																																	
Upholstery	Shipping																																												
COM Ydg	1 ¼	Ctn Wt	25																																										
COL Sq Ft	23	Cu Ft	14																																										

Guest Chair - Dual Textile 	BU7511E · wall saver · dual textile back; specify two textiles when ordering, see page BUS3 · maple frame standard · walnut frame available, specify and add \$248 list	<table border="1"> <thead> <tr> <th>Dimensions</th> <th>D</th> <th>W</th> <th>H</th> </tr> </thead> <tbody> <tr> <td>Overall</td> <td>26</td> <td>24 ¼</td> <td>33</td> </tr> <tr> <td>Seat</td> <td>18</td> <td>20 ¼</td> <td>18</td> </tr> <tr> <td>Arm</td> <td></td> <td></td> <td>25</td> </tr> </tbody> </table>	Dimensions	D	W	H	Overall	26	24 ¼	33	Seat	18	20 ¼	18	Arm			25	<table border="1"> <tbody> <tr><td>COM</td><td>\$1,596</td></tr> <tr><td>A</td><td>\$1,609</td></tr> <tr><td>B</td><td>\$1,633</td></tr> <tr><td>COL/C</td><td>\$1,676</td></tr> <tr><td>D</td><td>\$1,731</td></tr> <tr><td>E</td><td>\$1,777</td></tr> <tr><td>F</td><td>\$1,859</td></tr> <tr><td>G</td><td>\$1,947</td></tr> <tr><td>H</td><td>\$2,022</td></tr> <tr><td>I</td><td>\$2,156</td></tr> <tr><td>J</td><td>\$2,314</td></tr> <tr><td>L1</td><td>\$1,902</td></tr> <tr><td>L2</td><td>\$1,991</td></tr> </tbody> </table>	COM	\$1,596	A	\$1,609	B	\$1,633	COL/C	\$1,676	D	\$1,731	E	\$1,777	F	\$1,859	G	\$1,947	H	\$2,022	I	\$2,156	J	\$2,314	L1	\$1,902	L2	\$1,991
		Dimensions	D	W	H																																								
Overall	26	24 ¼	33																																										
Seat	18	20 ¼	18																																										
Arm			25																																										
COM	\$1,596																																												
A	\$1,609																																												
B	\$1,633																																												
COL/C	\$1,676																																												
D	\$1,731																																												
E	\$1,777																																												
F	\$1,859																																												
G	\$1,947																																												
H	\$2,022																																												
I	\$2,156																																												
J	\$2,314																																												
L1	\$1,902																																												
L2	\$1,991																																												
<table border="1"> <thead> <tr> <th>Upholstery</th> <th colspan="3">Shipping</th> </tr> </thead> <tbody> <tr> <td>COM Ydg</td> <td>1 ½</td> <td>Ctn Wt</td> <td>25</td> </tr> <tr> <td>COL Sq Ft</td> <td>27</td> <td>Cu Ft</td> <td>14</td> </tr> </tbody> </table>	Upholstery	Shipping			COM Ydg	1 ½	Ctn Wt	25	COL Sq Ft	27	Cu Ft	14																																	
Upholstery	Shipping																																												
COM Ydg	1 ½	Ctn Wt	25																																										
COL Sq Ft	27	Cu Ft	14																																										

Lounge Chair - Single Textile 	BU7521D · maple frame standard · walnut frame available, specify and add \$306 list	<table border="1"> <thead> <tr> <th>Dimensions</th> <th>D</th> <th>W</th> <th>H</th> </tr> </thead> <tbody> <tr> <td>Overall</td> <td>29 ¼</td> <td>28 ¾</td> <td>30</td> </tr> <tr> <td>Seat</td> <td>21</td> <td>24 ½</td> <td>17 ¼</td> </tr> <tr> <td>Arm</td> <td></td> <td></td> <td>23</td> </tr> </tbody> </table>	Dimensions	D	W	H	Overall	29 ¼	28 ¾	30	Seat	21	24 ½	17 ¼	Arm			23	<table border="1"> <tbody> <tr><td>COM</td><td>\$1,798</td></tr> <tr><td>A</td><td>\$1,811</td></tr> <tr><td>B</td><td>\$1,835</td></tr> <tr><td>COL/C</td><td>\$1,878</td></tr> <tr><td>D</td><td>\$1,933</td></tr> <tr><td>E</td><td>\$1,979</td></tr> <tr><td>F</td><td>\$2,061</td></tr> <tr><td>G</td><td>\$2,149</td></tr> <tr><td>H</td><td>\$2,224</td></tr> <tr><td>I</td><td>\$2,358</td></tr> <tr><td>J</td><td>\$2,516</td></tr> <tr><td>L1</td><td>\$2,104</td></tr> <tr><td>L2</td><td>\$2,193</td></tr> </tbody> </table>	COM	\$1,798	A	\$1,811	B	\$1,835	COL/C	\$1,878	D	\$1,933	E	\$1,979	F	\$2,061	G	\$2,149	H	\$2,224	I	\$2,358	J	\$2,516	L1	\$2,104	L2	\$2,193
		Dimensions	D	W	H																																								
Overall	29 ¼	28 ¾	30																																										
Seat	21	24 ½	17 ¼																																										
Arm			23																																										
COM	\$1,798																																												
A	\$1,811																																												
B	\$1,835																																												
COL/C	\$1,878																																												
D	\$1,933																																												
E	\$1,979																																												
F	\$2,061																																												
G	\$2,149																																												
H	\$2,224																																												
I	\$2,358																																												
J	\$2,516																																												
L1	\$2,104																																												
L2	\$2,193																																												
<table border="1"> <thead> <tr> <th>Upholstery</th> <th colspan="3">Shipping</th> </tr> </thead> <tbody> <tr> <td>COM Ydg</td> <td>1 ½</td> <td>Ctn Wt</td> <td>30</td> </tr> <tr> <td>COL Sq Ft</td> <td>30</td> <td>Cu Ft</td> <td>17</td> </tr> </tbody> </table>	Upholstery	Shipping			COM Ydg	1 ½	Ctn Wt	30	COL Sq Ft	30	Cu Ft	17																																	
Upholstery	Shipping																																												
COM Ydg	1 ½	Ctn Wt	30																																										
COL Sq Ft	30	Cu Ft	17																																										

Lounge Chair - Dual Textile 	BU7521E · dual textile back; specify two textiles when ordering, see page BUS3 · maple frame standard · walnut frame available, specify and add \$306 list	<table border="1"> <thead> <tr> <th>Dimensions</th> <th>D</th> <th>W</th> <th>H</th> </tr> </thead> <tbody> <tr> <td>Overall</td> <td>29 ¼</td> <td>28 ¾</td> <td>30</td> </tr> <tr> <td>Seat</td> <td>21</td> <td>24 ½</td> <td>17 ¼</td> </tr> <tr> <td>Arm</td> <td></td> <td></td> <td>23</td> </tr> </tbody> </table>	Dimensions	D	W	H	Overall	29 ¼	28 ¾	30	Seat	21	24 ½	17 ¼	Arm			23	<table border="1"> <tbody> <tr><td>COM</td><td>\$1,872</td></tr> <tr><td>A</td><td>\$1,887</td></tr> <tr><td>B</td><td>\$1,915</td></tr> <tr><td>COL/C</td><td>\$1,965</td></tr> <tr><td>D</td><td>\$2,029</td></tr> <tr><td>E</td><td>\$2,084</td></tr> <tr><td>F</td><td>\$2,179</td></tr> <tr><td>G</td><td>\$2,281</td></tr> <tr><td>H</td><td>\$2,368</td></tr> <tr><td>I</td><td>\$2,525</td></tr> <tr><td>J</td><td>\$2,710</td></tr> <tr><td>L1</td><td>\$2,309</td></tr> <tr><td>L2</td><td>\$2,434</td></tr> </tbody> </table>	COM	\$1,872	A	\$1,887	B	\$1,915	COL/C	\$1,965	D	\$2,029	E	\$2,084	F	\$2,179	G	\$2,281	H	\$2,368	I	\$2,525	J	\$2,710	L1	\$2,309	L2	\$2,434
		Dimensions	D	W	H																																								
Overall	29 ¼	28 ¾	30																																										
Seat	21	24 ½	17 ¼																																										
Arm			23																																										
COM	\$1,872																																												
A	\$1,887																																												
B	\$1,915																																												
COL/C	\$1,965																																												
D	\$2,029																																												
E	\$2,084																																												
F	\$2,179																																												
G	\$2,281																																												
H	\$2,368																																												
I	\$2,525																																												
J	\$2,710																																												
L1	\$2,309																																												
L2	\$2,434																																												
<table border="1"> <thead> <tr> <th>Upholstery</th> <th colspan="3">Shipping</th> </tr> </thead> <tbody> <tr> <td>COM Ydg</td> <td>1 ¾</td> <td>Ctn Wt</td> <td>30</td> </tr> <tr> <td>COL Sq Ft</td> <td>35</td> <td>Cu Ft</td> <td>17</td> </tr> </tbody> </table>	Upholstery	Shipping			COM Ydg	1 ¾	Ctn Wt	30	COL Sq Ft	35	Cu Ft	17																																	
Upholstery	Shipping																																												
COM Ydg	1 ¾	Ctn Wt	30																																										
COL Sq Ft	35	Cu Ft	17																																										

Description	1 Model	Specifications	List Price Per Grade												
Ottoman 	BU7504C • maple frame standard • walnut frame available, specify and add \$105 list	<table border="1"> <thead> <tr> <th>Dimensions</th> <th>D</th> <th>W</th> <th>H</th> </tr> </thead> <tbody> <tr> <td>Overall</td> <td>18</td> <td>22</td> <td>13 1/4</td> </tr> </tbody> </table>	Dimensions	D	W	H	Overall	18	22	13 1/4	COM \$1,017 A \$1,024 B \$1,036 COL/C \$1,057 D \$1,085 E \$1,108 F \$1,149 G \$1,193 H \$1,230 I \$1,297 J \$1,376 L1 \$1,178 L2 \$1,225				
		Dimensions	D	W	H										
Overall	18	22	13 1/4												
<table border="1"> <thead> <tr> <th>Upholstery</th> <th colspan="3">Shipping</th> </tr> </thead> <tbody> <tr> <td>COM Ydg</td> <td>3/4</td> <td>Ctn Wt</td> <td>10</td> </tr> <tr> <td>COL Sq Ft</td> <td>14</td> <td>Cu Ft</td> <td>5</td> </tr> </tbody> </table>	Upholstery	Shipping			COM Ydg	3/4	Ctn Wt	10	COL Sq Ft	14	Cu Ft	5			
Upholstery	Shipping														
COM Ydg	3/4	Ctn Wt	10												
COL Sq Ft	14	Cu Ft	5												
27 1/2" h Counter Height Stool 	BU7514D • coordinates with counter height tables • metal foot rail • maple frame standard • walnut frame available, specify and add \$186 list	<table border="1"> <thead> <tr> <th>Dimensions</th> <th>D</th> <th>W</th> <th>H</th> </tr> </thead> <tbody> <tr> <td>Overall</td> <td>18 1/4</td> <td>18</td> <td>27 1/2</td> </tr> <tr> <td>Seat</td> <td>14 1/2</td> <td>18</td> <td>24</td> </tr> </tbody> </table>	Dimensions	D	W	H	Overall	18 1/4	18	27 1/2	Seat	14 1/2	18	24	COM \$1,324 A \$1,331 B \$1,343 COL/C \$1,364 D \$1,392 E \$1,415 F \$1,456 G \$1,500 H \$1,537 I \$1,604 J \$1,683 L1 \$1,485 L2 \$1,532
		Dimensions	D	W	H										
Overall	18 1/4	18	27 1/2												
Seat	14 1/2	18	24												
<table border="1"> <thead> <tr> <th>Upholstery</th> <th colspan="3">Shipping</th> </tr> </thead> <tbody> <tr> <td>COM Ydg</td> <td>3/4</td> <td>Ctn Wt</td> <td>18</td> </tr> <tr> <td>COL Sq Ft</td> <td>14</td> <td>Cu Ft</td> <td>7</td> </tr> </tbody> </table>	Upholstery	Shipping			COM Ydg	3/4	Ctn Wt	18	COL Sq Ft	14	Cu Ft	7			
Upholstery	Shipping														
COM Ydg	3/4	Ctn Wt	18												
COL Sq Ft	14	Cu Ft	7												
33 1/2" h Bar Stool 	BU7518D • coordinates with bar height tables • metal foot rail • maple frame standard • walnut frame available, specify and add \$186 list	<table border="1"> <thead> <tr> <th>Dimensions</th> <th>D</th> <th>W</th> <th>H</th> </tr> </thead> <tbody> <tr> <td>Overall</td> <td>19 1/2</td> <td>18</td> <td>33 1/2</td> </tr> <tr> <td>Seat</td> <td>14 1/2</td> <td>18</td> <td>30</td> </tr> </tbody> </table>	Dimensions	D	W	H	Overall	19 1/2	18	33 1/2	Seat	14 1/2	18	30	COM \$1,324 A \$1,331 B \$1,343 COL/C \$1,364 D \$1,392 E \$1,415 F \$1,456 G \$1,500 H \$1,537 I \$1,604 J \$1,683 L1 \$1,485 L2 \$1,532
		Dimensions	D	W	H										
Overall	19 1/2	18	33 1/2												
Seat	14 1/2	18	30												
<table border="1"> <thead> <tr> <th>Upholstery</th> <th colspan="3">Shipping</th> </tr> </thead> <tbody> <tr> <td>COM Ydg</td> <td>3/4</td> <td>Ctn Wt</td> <td>20</td> </tr> <tr> <td>COL Sq Ft</td> <td>14</td> <td>Cu Ft</td> <td>8</td> </tr> </tbody> </table>	Upholstery	Shipping			COM Ydg	3/4	Ctn Wt	20	COL Sq Ft	14	Cu Ft	8			
Upholstery	Shipping														
COM Ydg	3/4	Ctn Wt	20												
COL Sq Ft	14	Cu Ft	8												

BOURNE

To Order, Specify:

- 1 Model Number
- 2 Wood Finish [See Finish Options](#)
 - a.) Maple Finish
 - b.) Walnut Finish - upcharge applies
- 3 Fabric Selection - vendor, pattern and color
 - a.) Seat and Lower Back
 - b.) Upper Back (only available on Dual Textile chairs)
 Visit www.jsifurniture.com/finishes-and-materials/textiles for our textiles program. See selection of standard and graded in manufacturers and patterns.
- 4 Metal Foot Rail Color - [See Metal Foot Rail Color Options](#)
- 5 Optional Rubber Cushion Nylon Glides - no upcharge

Specifications

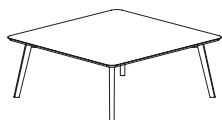
- Wood Species - Maple or Walnut.
- Seats are upholstered with high density polyurethane foam.
- Backs are tapered and upholstered with polyurethane foam.
- Mortise and tenon construction with corner blocks, glue and screws.
- Standard with rubber cushion metal glides.

Description	D	W	H	CTN WT	CU FT	① Model	Essentials Veneer or HPL Laminate Top	Artisan Veneer Top	Solid Surface Top
Rectangular Coffee Table	24	48	17	39	11	BU2448-17TTWL	\$1,682	\$1,751	\$2,696



- ships KD
- knife edge
- walnut legs/apron available, specify and add \$178 list

Square Coffee Table	42	42	17	54	16	BU4242-17TTWL	\$1,753	\$1,824	\$3,926
----------------------------	----	----	----	----	----	----------------------	----------------	----------------	----------------



- ships KD
- knife edge
- walnut legs/apron available, specify and add \$178 list

Round Coffee Table	42	42	17	45	16	BU42-17RDWL	\$1,662	\$1,731	\$3,836
	36	36	17	36	12	BU36-17RDWL	\$1,605	\$1,675	\$3,192

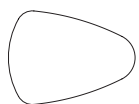


- ships KD
- three legs
- knife edge
- walnut legs/apron available, specify and add \$178 list

Triangular Coffee Table	36	48	17	42	16	BU3648-17PKWL	\$1,667	\$1,735	\$3,840
--------------------------------	----	----	----	----	----	----------------------	----------------	----------------	----------------



- ships KD
- three legs
- knife edge
- walnut legs/apron available, specify and add \$178 list



Description	D	W	H	CTN WT	CU FT	❶ Model	Essentials Veneer or HPL Laminate Top	Artisan Veneer Top	Solid Surface Top
Square Side Table	20	20	21	22	4	BU2020-21TTWL	\$1,589	\$1,657	\$2,219



- ships KD
- knife edge
- walnut legs/apron available, specify and add \$178 list

Round Side Table	24	24	21	23	6	BU24-21RDWL	\$1,525	\$1,595	\$2,235
------------------	----	----	----	----	---	-------------	---------	---------	---------



- ships KD
- three legs
- knife edge
- walnut legs/apron available, specify and add \$178 list

BOURNE

To Order, Specify:

- ❶ Model Number
- ❷ Top Material:
 - a.) Veneer [See Veneer Top Finish Options](#)
 - 1.) Finish Color
 - b.) Laminate [See Laminate Top Finish Options](#)
 - 1.) Laminate Color
 - c.) Solid Surface [See Solid Surface Top Finish Options](#)
- ❸ Legs/Apron:
 - a.) Wood Finish [See Wood Finish Options](#)
 - b.) Paint Color [See Paint Color Options](#)