



*Lok*



training tables

 JSI #lovewhatyoudo

# BROAD. FLEXIBLE. EFFORTLESS.

Stimulate personal interaction with tables that invite conversation and create spaces for gathering. Whether it's a quick touch down meeting or an all-day training session, this series has what you need.

---

*Lok Training*



*explore the* SERIES.



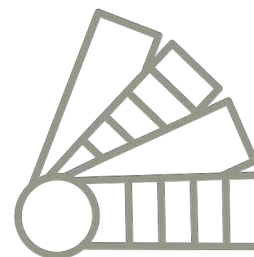
**1**

OVERVIEW



**2**

DETAILS



**3**

MATERIALS

# OVERVIEW

Easily specify and order tables from the top down with built-up components that increase flexibility and functionality.



**LOK**

---

**THE TRAINING  
OFFERING**



TABLES



PRIVACY

# LOK

---

## TABLES

Multiple top shapes + sizes offered in HPL or TFL

T base or cantilever base

Two tone base with no upcharge

Specified from the top down using separate model numbers for each component



# LOK

---

## PRIVACY

Under-surface mount  
privacy, slide-on privacy and  
modesty panel models

Laminate, acrylic and  
acoustic PET options



# LOK

---

## TRAINING TYPICALS

Theater rows with lecture  
shape tops and instructor station





# LOK

---

## TRAINING TYPICALS

Conventional rows of rectangle shapes that can be easily reconfigured or tilted to store



# LOK

---

## TRAINING TYPICALS

AV setting with trapezoid shape  
added for intimate group  
interaction



# LOK

---

## TRAINING TYPICALS

Teams of six can gather round  
hive shapes to collaborate and  
prepare responses



# LOK

---

## OPEN PLAN TYPICALS

Working spaces for individual  
tasks or shared information



# LOK

---

## OPEN PLAN TYPICALS

Interact shape tables work in  
stand alone or configured  
applications



# LOK

---

## OPEN PLAN TYPICALS

Light benching can be a cost-effective way to create work pods



# LOK

---

## OPEN PLAN TYPICALS

Touch down stations for  
gathering your thoughts with  
space separation screens



# LOK

---

## OPEN PLAN TYPICALS

Working stations created with  
privacy screens and storage  
from other JSI collections





# LOK

---

## OPEN PLAN TYPICALS

Individual work-stations support  
personal or shared spaces



# LOK

---

## SEGMENTS

Besides training, the Lok series also includes conference tables, ancillary + accessories and lounge tables. Spec a large space with Lok and see how the series integrates seamlessly.



training tables



conference tables



lounge tables



ancillary + accessories

# DETAILS

Endless options within Lok training allow you to spec a space to fit any need.



# LOK

---



HIVE



INTERSECT



HUDDLE



ONE TWENTY

## TOP SHAPES



RECTANGLE



TRAPEZOID



LECTURE



BULLET



CRESCENT



HALF ROUND



WEDGE LINK



QUARTER ROUND

# LOK

---

## TOP + EDGE OPTIONS

Available in HPL or TFL with  
R3 eased edge on all sides



# LOK

---

## BASE OPTIONS

Two base styles

Glides, black casters or  
white/grey casters



T BASE



CANTILEVER

**LOK**

---

**TWO TONE BASE**

Beautiful detail at no upcharge



# LOK

---

## UNDER-SURFACE MOUNT PRIVACY

Available in acrylic or  
acoustic PET



ACRYLIC



ACOUSTIC PET



# LOK

---

## SLIDE-ON PRIVACY

Available in acrylic, laminate, acoustic PET and magnetic marker board



# LOK

---

## MOBILE PRIVACY

Available in laminate or magnetic marker board



# LOK

---

## MODESTY PANELS

Available in acrylic or laminate

Can be hinged, removeable or fixed



ACRYLIC



LAMINATE

# LOK

---

## EASY TILT + STORE

Offset or inline nest



INLINE NEST



OFFSET NEST

# LOK

---

## LINK POWER

Jumper connection at edge of tables

Available in white or black

Non-directional and non-sequential



# LOK

---

## ECONO POWER

Jumper connection at center of tables

Available in black or grey

Plastic flip store lid

Non-directional and non-sequential

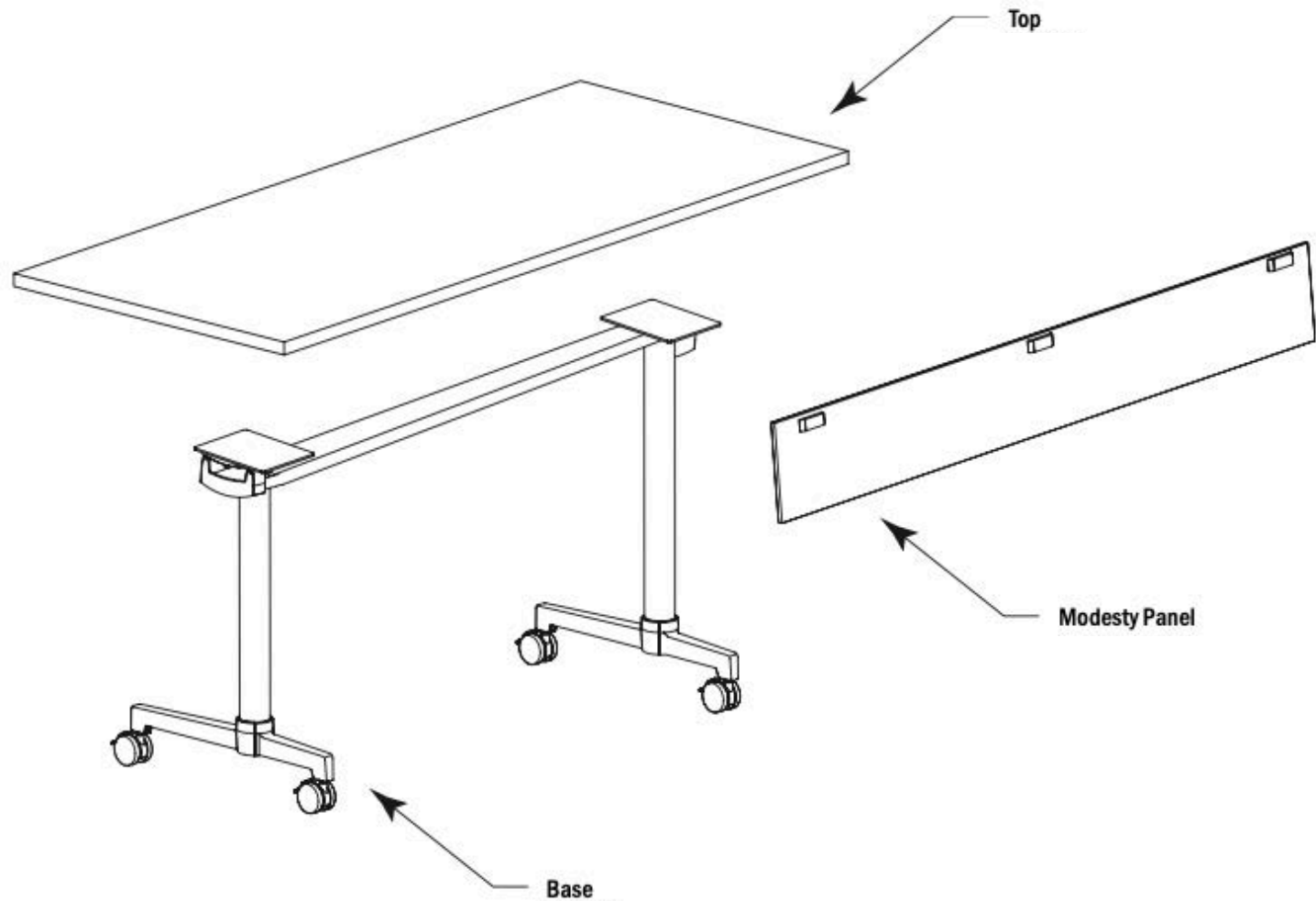


# LOK

---

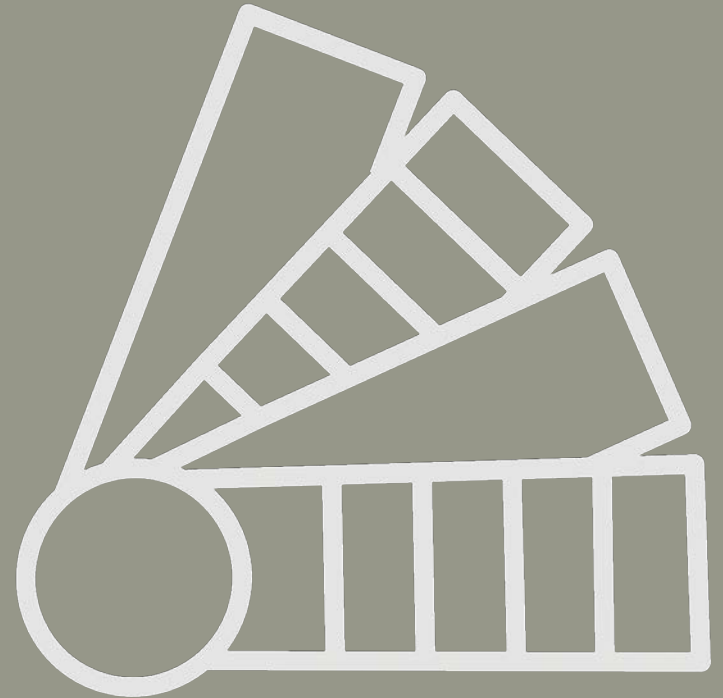
## SPECIFYING COMPONENTS

Specify your table from the top down with separate model components with ease and flexibility in mind



# MATERIALS

Create spaces with unity or add a pop of contrast with Lok's material offering.

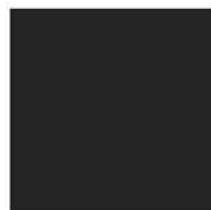




# LOK

---

## LAMINATE



Black



Slate Grey



Shadow



Bridal Blanco



Alabaster



Designer White



Ale Light



Vintage



Bourbon Light



Brighton Light



Collectors



Brazilwood



Blonde Echo



Aged Ash



Walnut Heights



Graphite



Studio Teak



High Line



Florence Walnut



Oatmeal Cookie



Pinnacle Walnut



Weathered Ash

# LOK

---

## METAL



Polished  
Aluminum



Arctic Silver



Soft Nickel



Pewter

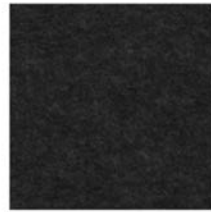


Matte Black

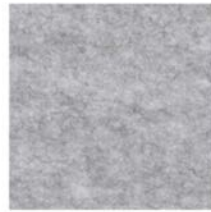
# LOK

---

## ACOUSTIC PET



Ash Grey



Silver Grey

**LOK**

---

**CASTERS**



# LOK

---

Find more resources at  
[JSIFURNITURE.COM](https://www.jsifurniture.com)



 JSI

Love  
What  
you  
Do